

Indoor LED Rental Screen

R3 Series



Modulization



Light & Thin



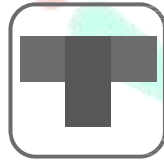
Arc lock



Easy Maintenance



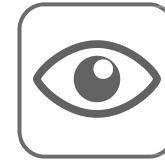
Flexible splicing



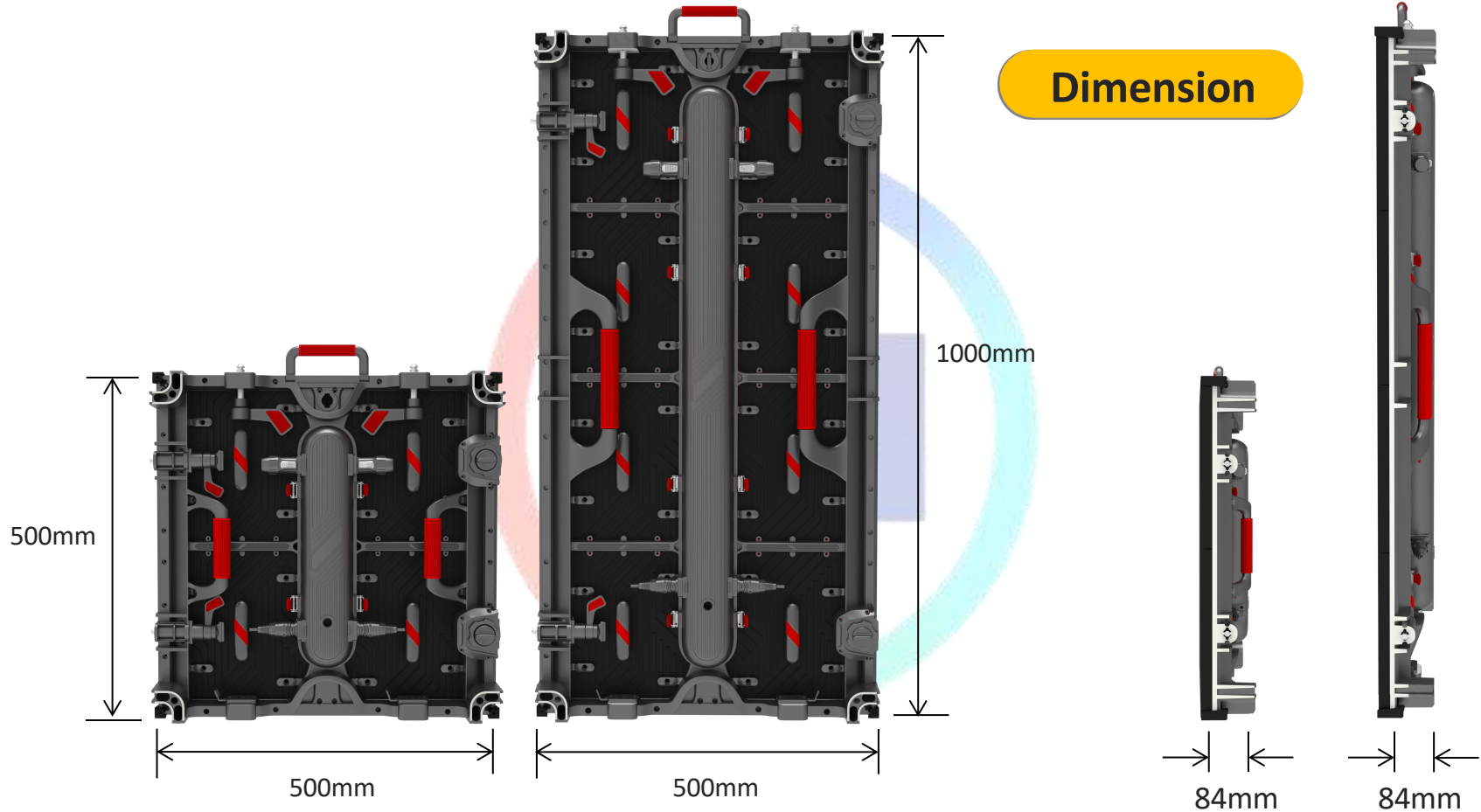
Quick installation



High protection

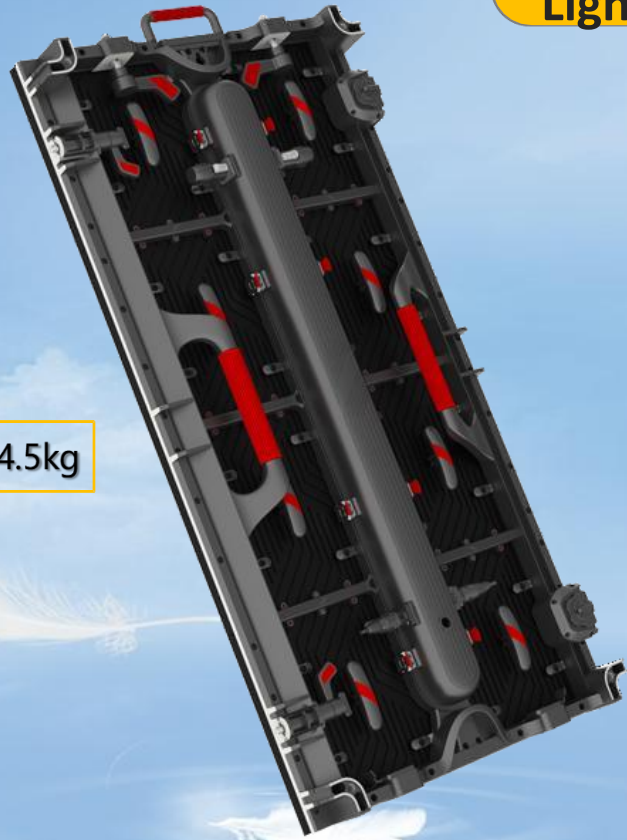


Wide viewing angle



Light & Thin

500X1000 14.5kg



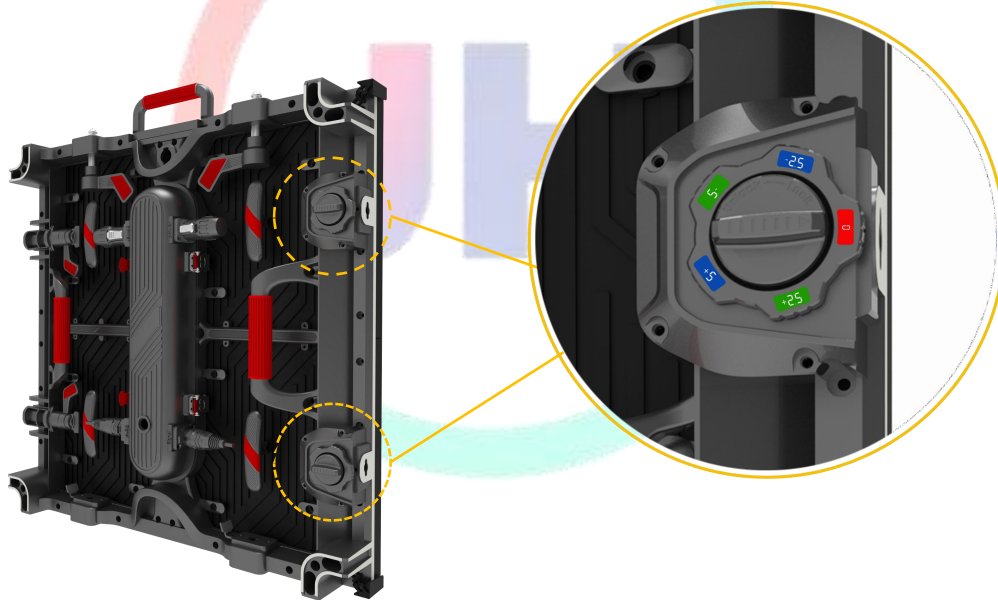
500X500 8kg

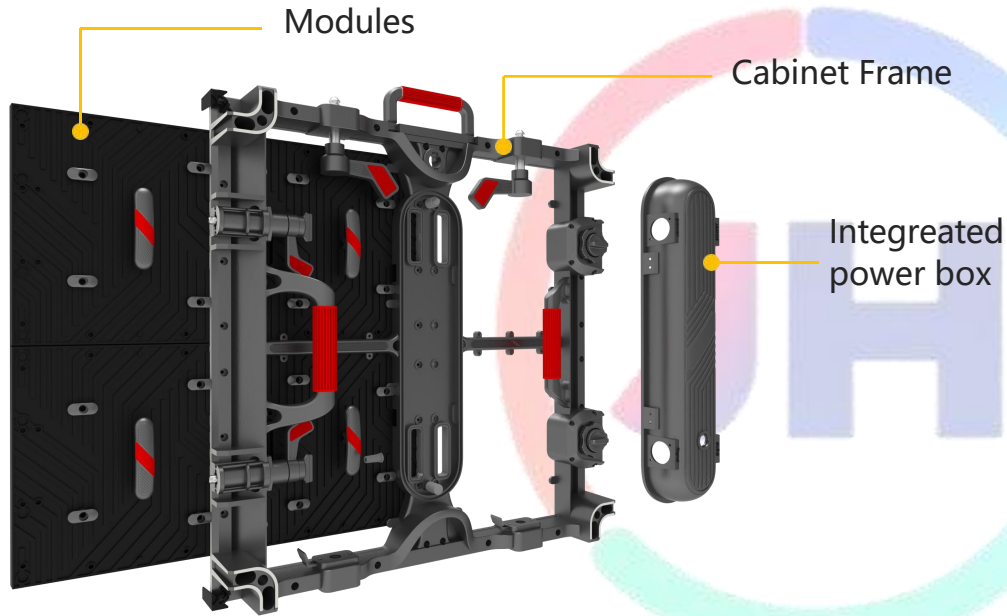


High-Precision Arc Lock

Innovative Half-Arc Lock Design, Compatible with Straight and Arc Configurations, for Quick Angle Adjustment and Fixation.

Adjustable Angle: -5° 、 -2.5° 、 0° 、 $+2.5^{\circ}$ 、 $+5^{\circ}$





Integrated Design

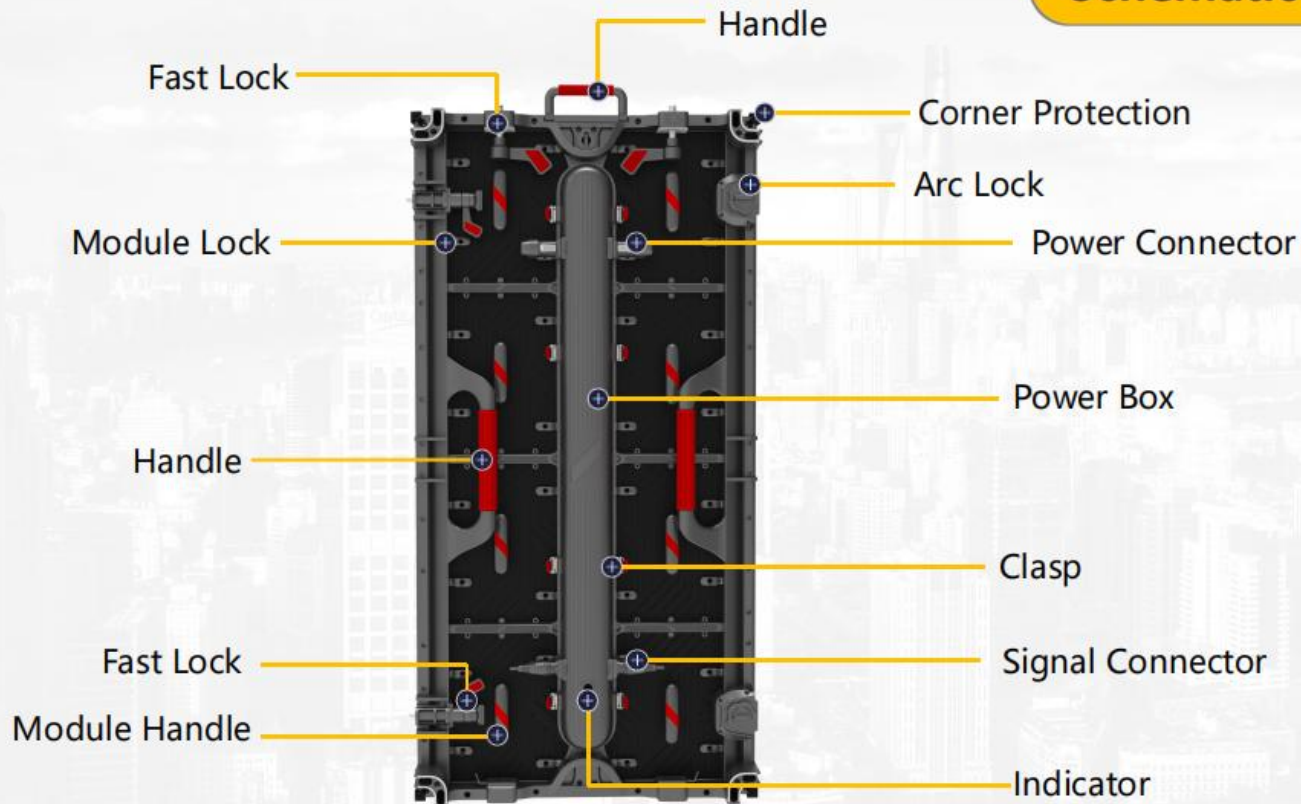
- Die-cast aluminum enclosure, featuring strong toughness, high precision, and resistance to deformation.
- Integrated design of power supply, receiving card, and rear cover.
- Utilizing a silent control box, combining technology with excellent heat dissipation performance, ensuring zero noise during operation.

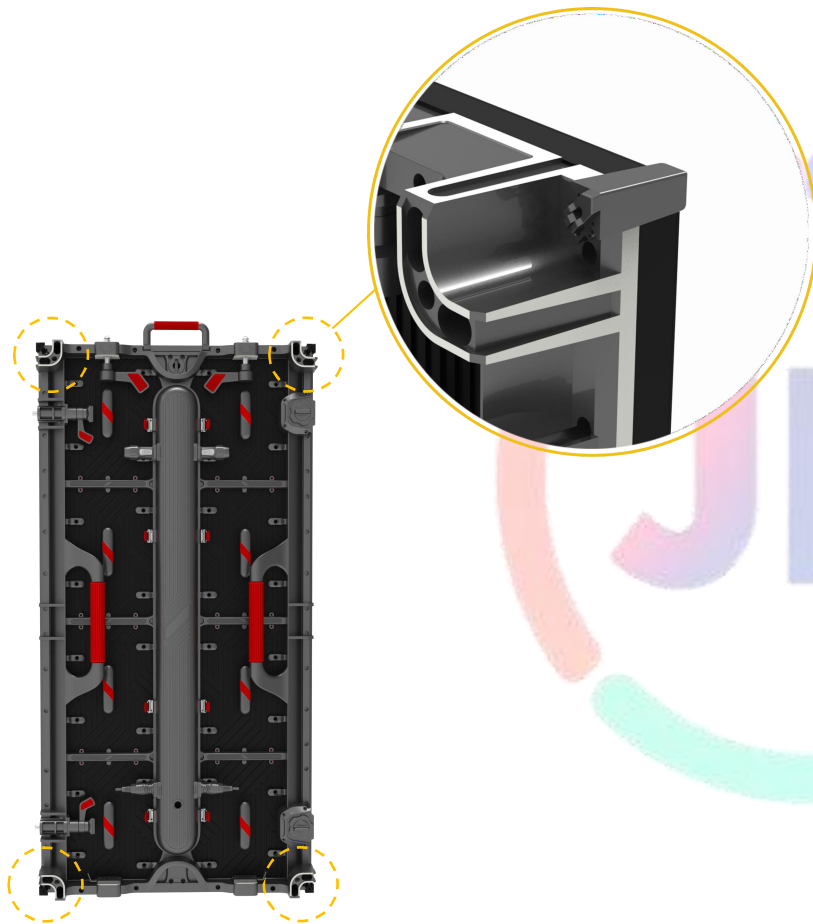
Front/rear side maintenance

Achieving rapid maintenance in different occasions.



Schematic



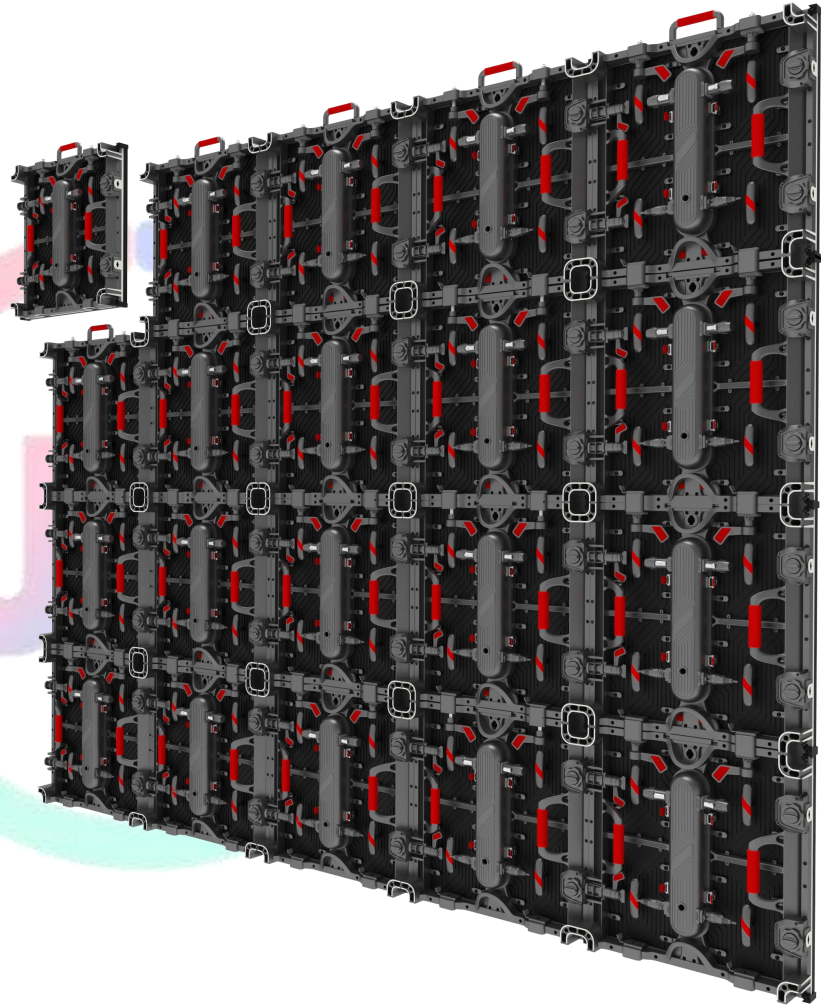


Corner Protection

The enclosure is equipped with protective corners, combined with anti-collision features at the bottom, providing comprehensive protection for the modules.

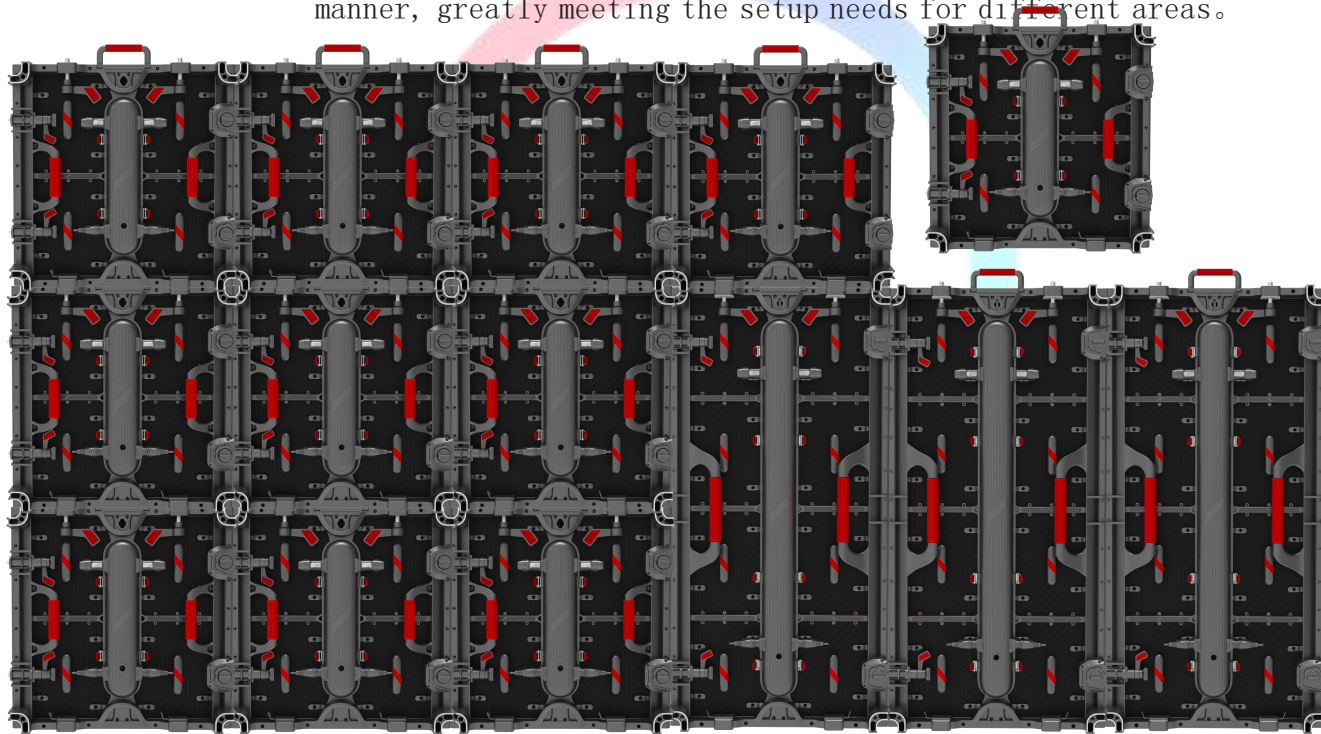
Seamless Splicing

The arc lock design facilitates quick locking and reduces assembly gaps, resulting in a smoother surface.

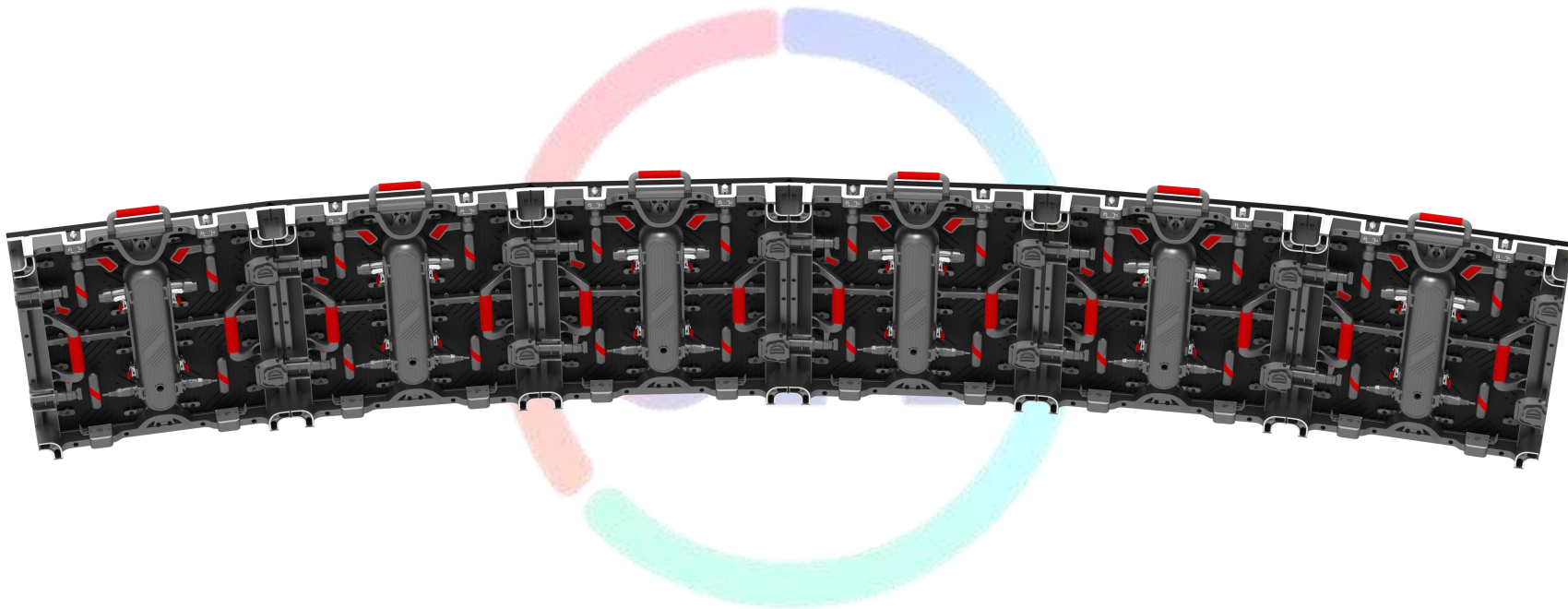


Flexible Installation

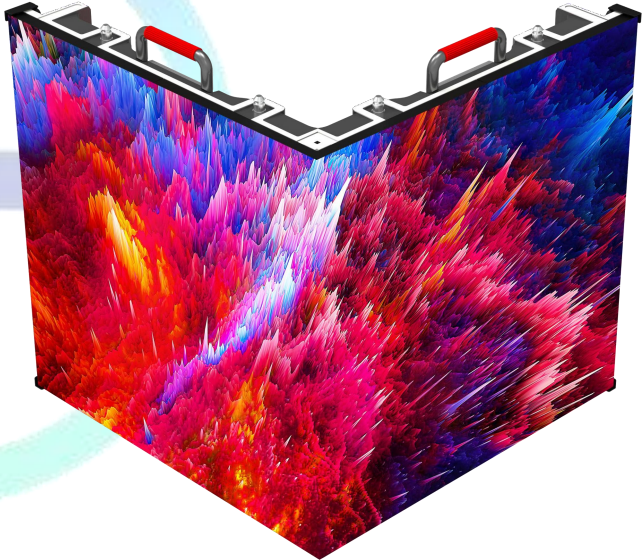
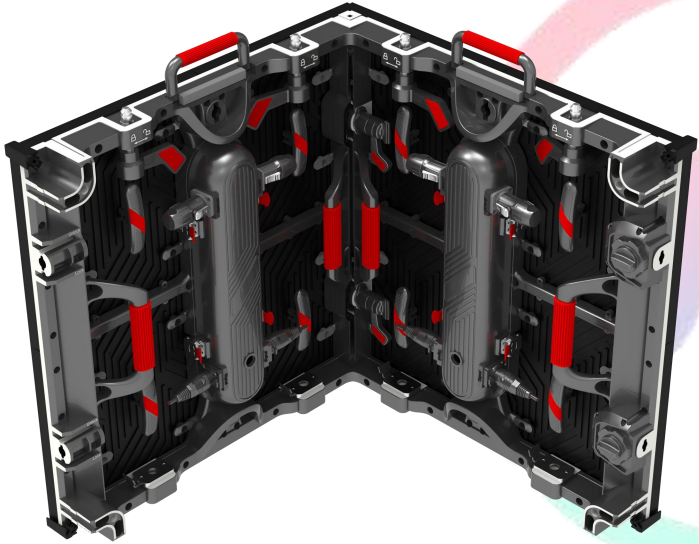
The 500x500mm enclosure can easily interlock with the 500x1000mm enclosure in a vertical manner, greatly meeting the setup needs for different areas.



Arc Installation



Right-angle Installation





Color reproducibility

The ability to restore colors is even more powerful, intelligently reproducing 68.7 billion colors, thus ensuring the authenticity of the image.

160° Viewing Angle

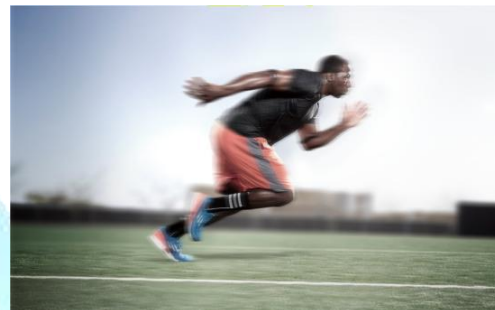
Perfect display of images at any angle.



High Refresh Rate

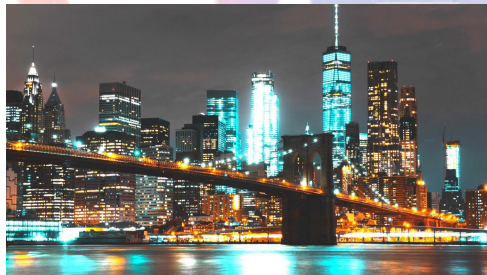


High Refresh Rate

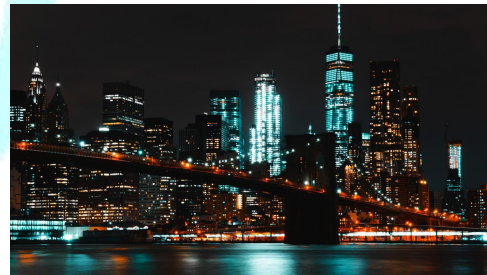


Low Refresh Rate

High Grey Scale



High Grey Scale



Low Grey Scale

Pixel Pitch

P1. 5625

P1. 95

P2. 5

P2. 604

P2. 976

P3. 91

	P1. 5625	P1. 95	P2. 5	P2. 604	P2. 976	P3. 91
LED Type	SMD1212(GOB)	SMD1515	SMD1515	SMD1515	SMD1515	SMD2020
Physical Density(Dot/m ²)	409600	262144	160000	147456	112896	65536
Module Resolution	160X160	128X128	100X100	96X96	84X84	64X64
Module Size(WXH)	250X250	250X250	250X250	250X250	250X250	250X250
Cabinet Size(mm)	500X500X84	500X500X84	500X500X84	500X500X84	500X500(1000)X84	500X500(1000)X84
Cabinet Resolution	320X320	256X256	192X192	192X192	168X168/168X336	128X128/128X256
Module Quantity(WXH)	2X2	2X2	2X2	2X2	2X2/2X4	2X2/2X4
Weight(kg)	8	8	8	8	8/14.5	8/14.5
Maintenance	Front/rear Maintenance	Front/rear Maintenance	Front/rear Maintenance	Front/rear Maintenance	Front/rear Maintenance	Front/rear Maintenance
Cabinet Material	Die-casting Aluminum	Die-casting Aluminum	Die-casting Aluminum	Die-casting Aluminum	Die-casting Aluminum	Die-casting Aluminum
Brightness(Nits)	≥600	≥800	≥800	≥800	≥800	≥1000
Color Temperature(K)	1000-18500 Adjustable	1000-18500 Adjustable	1000-18500 Adjustable	1000-18500 Adjustable	1000-18500 Adjustable	1000-18500 Adjustable
Viewing Angle(H/V)	160°/160°	160°/160°	160°/160°	160°/160°	160°/160°	160°/160°
Viewing Distance	2-50m	2-50m	3-50m	3-50m	3-100m	4-100m
Contrast Ratio	10000 : 1	10000 : 1	10000 : 1	10000 : 1	10000 : 1	10000 : 1
Frame Frequency	50/60	50/60	50/60	50/60	50/60	50/60
Drive Mode	Static, 40 Scan	Static, 32 Scan	Static, 25 Scan	Static, 32 Scan	Static, 28 Scan	Static, 28 Scan
Grey Scale	16bit	16bit	16bit	16bit	16bit	16bit
Refresh Rate(Hz)	3840	3840	3840	3840	3840	3840
Max Power Com.(W/m ²)	600	600	600	600	600	600
Ave Power Com.(W/m ²)	200-300	200-300	200-300	200-300	200-300	200-300
IP Rate	IP31	IP31	IP31	IP31	IP31	IP31
Power Input			AC90-264V,47-63 Hz			
Working T/H (°C/RH)			-20~60°C/10%~85%			

Storage T/H(°C/RH)

-20~60°C/10%~85%

Standard

CCC/CE/RoHS/FCC/CB/TUV/IEC

Given the continuous iteration and innovation of the products, the parameters are provided solely for preliminary reference purposes, and the actual specifications may be subject to updates.



Applications

Festival



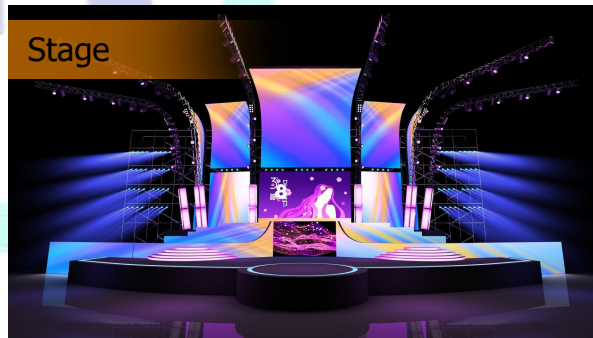
Events



XR Studio



Stage





THANKS