



Outdoor LED Rental Screen

R3 Series



Modulization



Light & Thin



Arc lock



Easy Maintenance



Flexible splicing



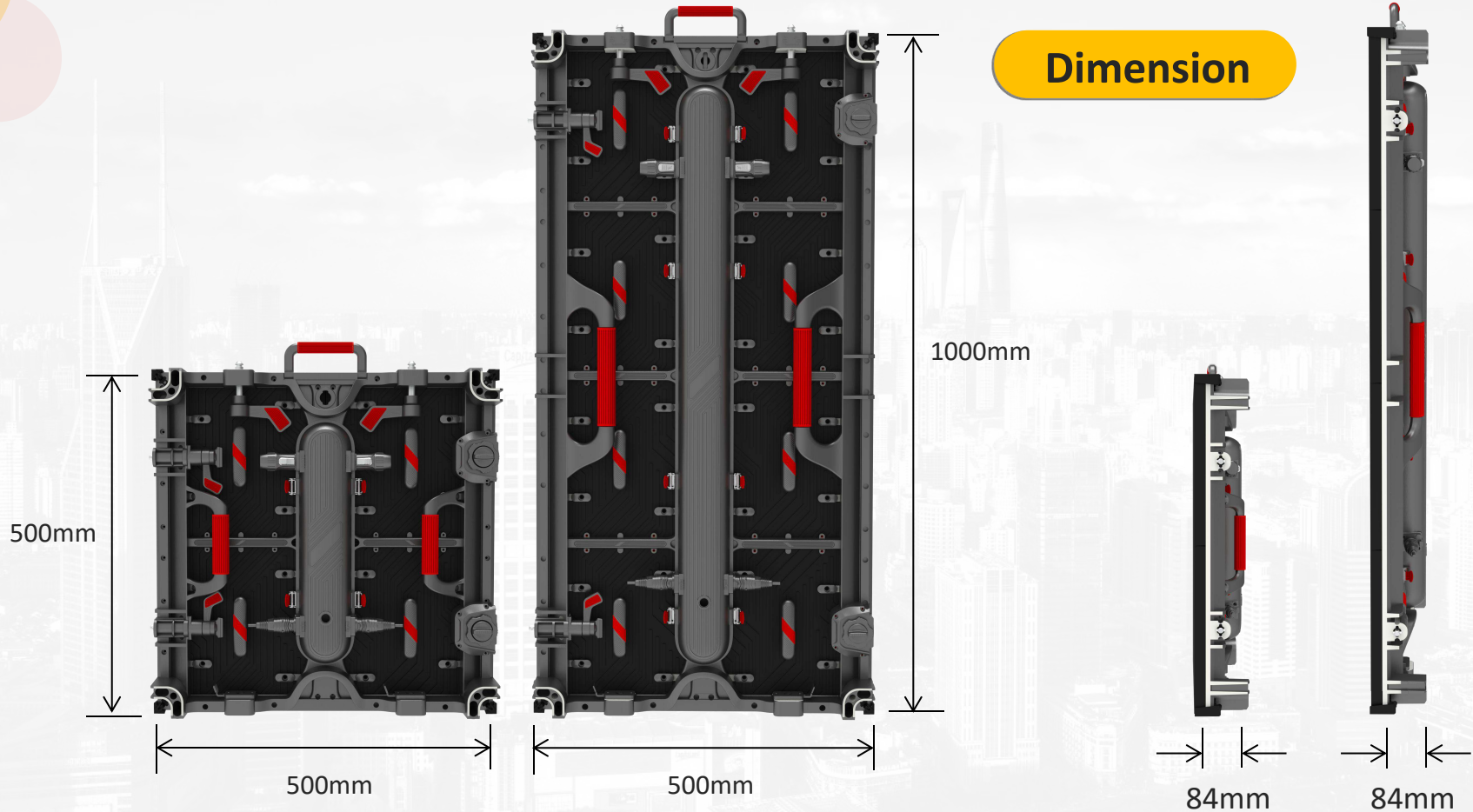
Quick installation



High protection



Wide viewing angle



Light & Thin

500X1000 14.5kg



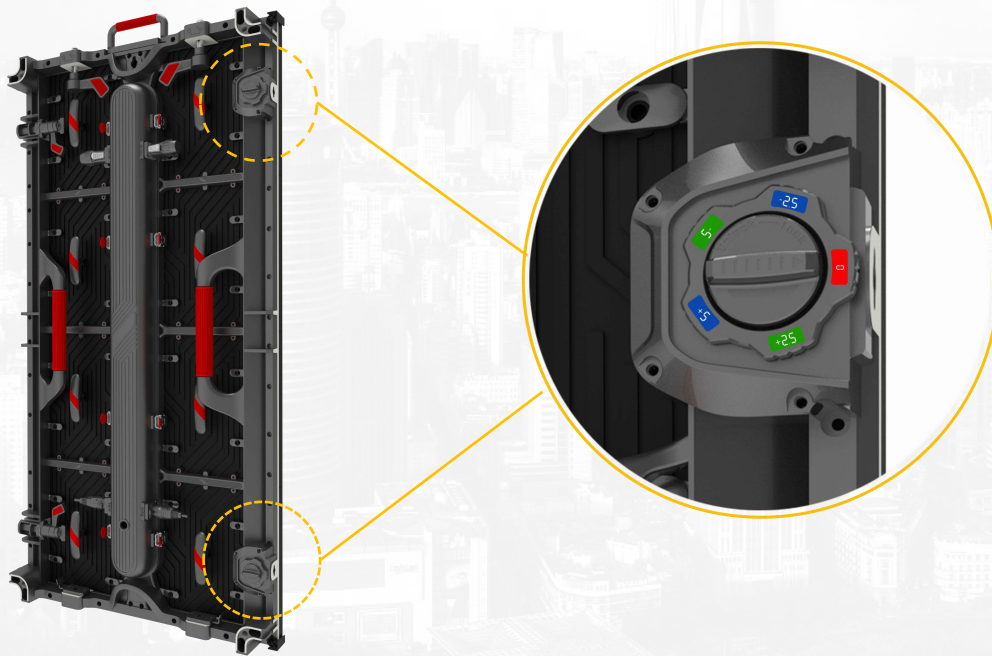
500X500 8kg



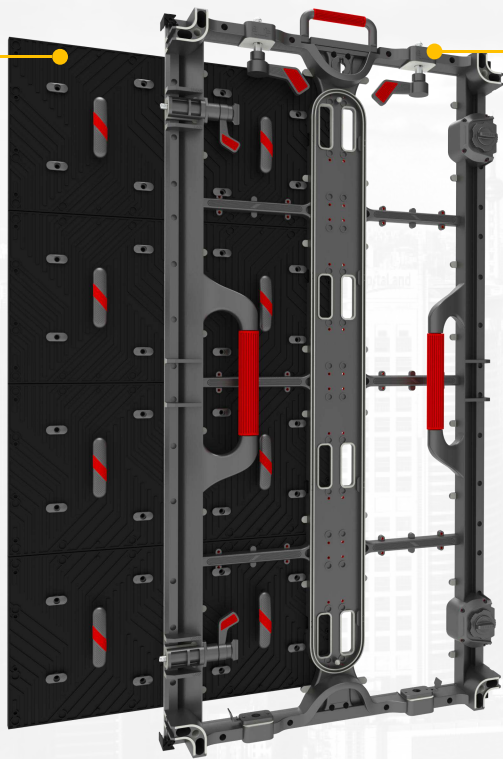
High-Precision Arc Lock

Innovative Half-Arc Lock Design, Compatible with Straight and Arc Configurations,
for Quick Angle Adjustment and Fixation.

Adjustable Angle: -5° 、 -2.5° 、 0° 、 $+2.5^{\circ}$ 、 $+5^{\circ}$



Modules



Cabinet Frame

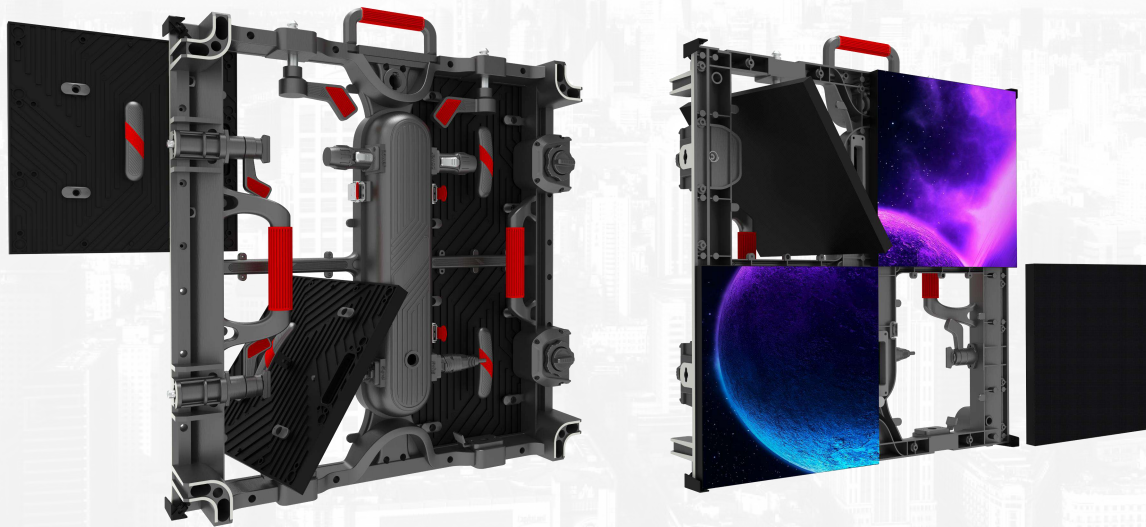
Integrated power box

Integrated Design

- Die-cast aluminum enclosure, featuring strong toughness, high precision, and resistance to deformation.
- Integrated design of power supply, receiving card, and rear cover.
- Utilizing a silent control box, combining technology with excellent heat dissipation performance, ensuring zero noise during operation.

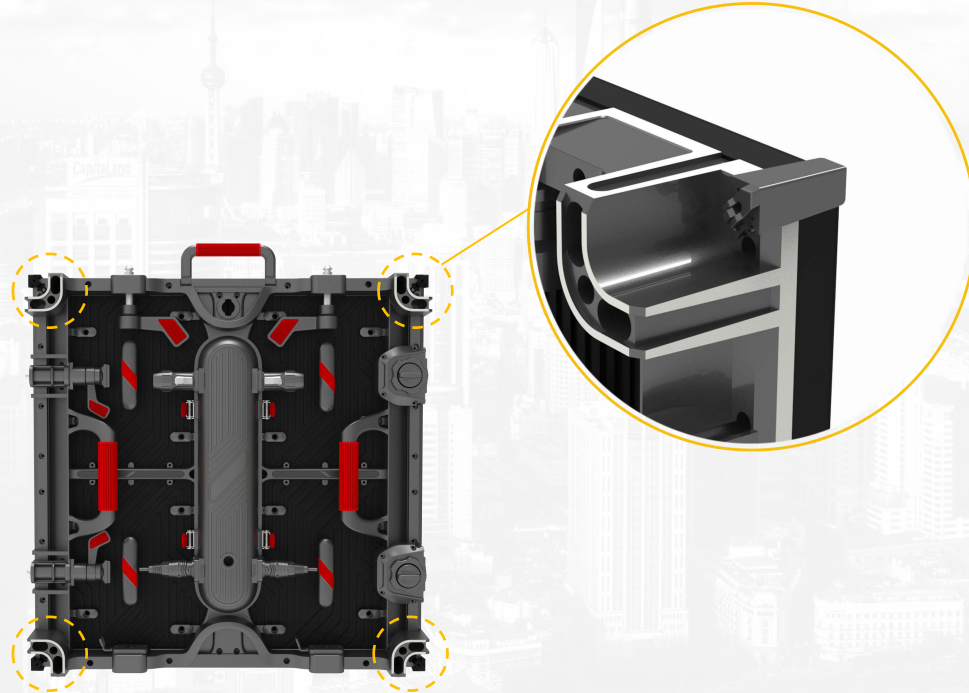
Front/rear side maintenance

Achieving rapid maintenance in different occasions.



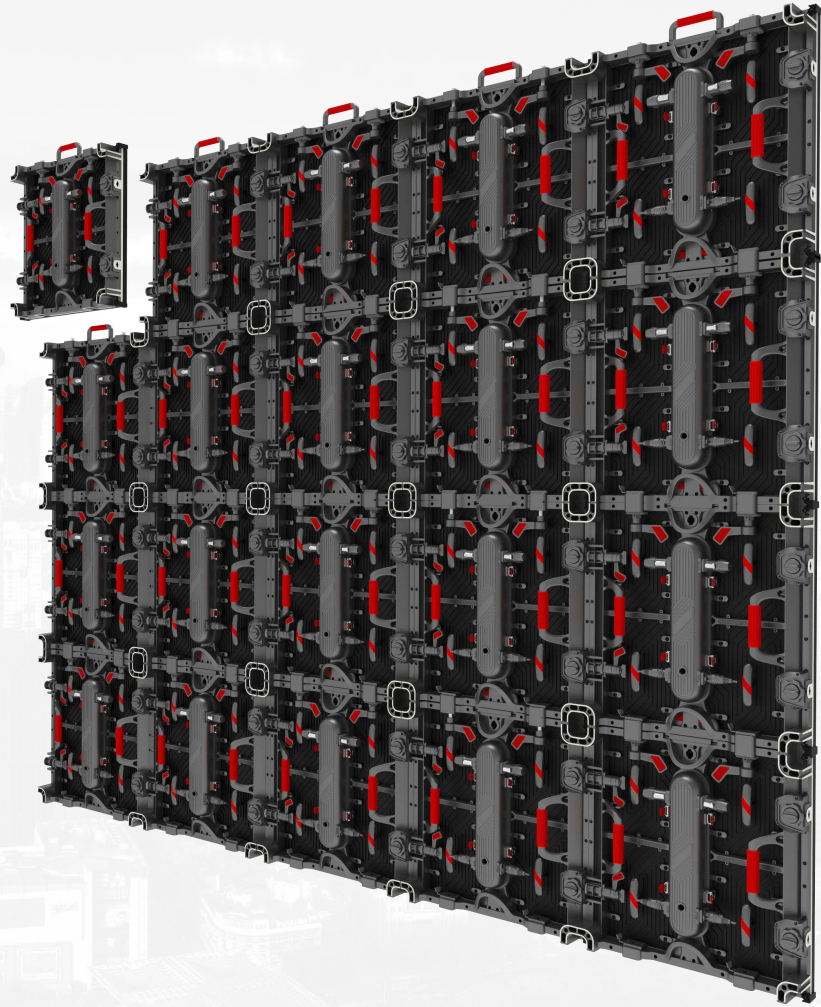
Corner Protection

The enclosure is equipped with protective corners, combined with anti-collision features at the bottom, providing comprehensive protection for the modules.



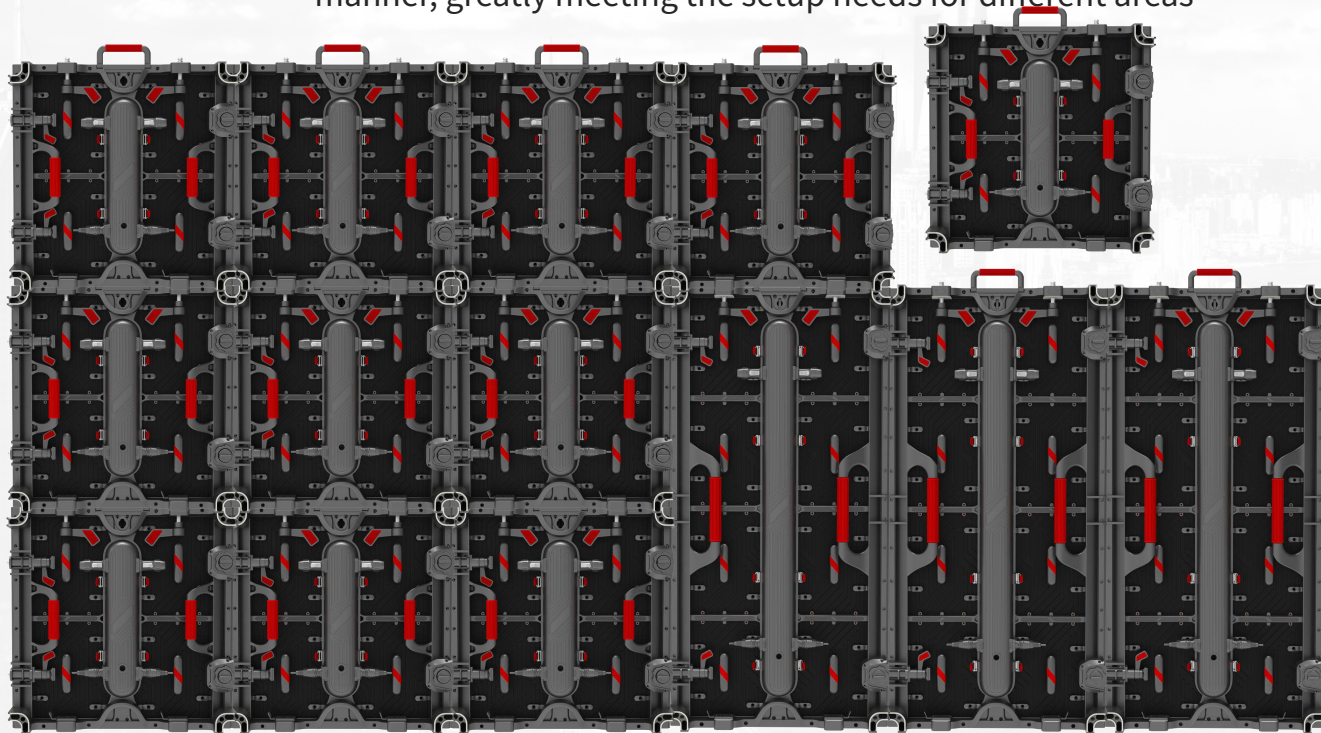
Seamless Splicing

The arc lock design facilitates quick locking and reduces assembly gaps, resulting in a smoother surface.

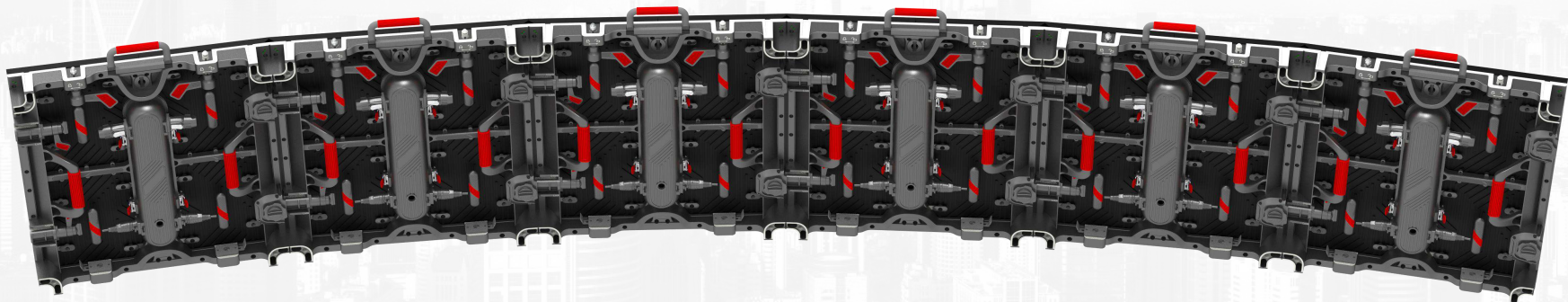


Flexible Installation

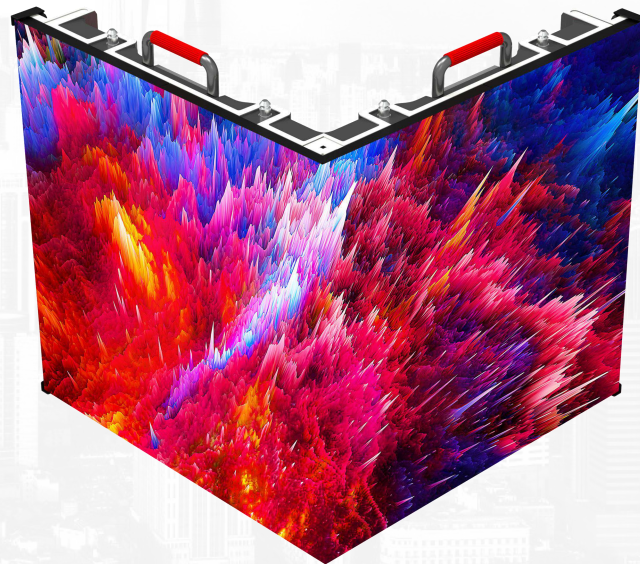
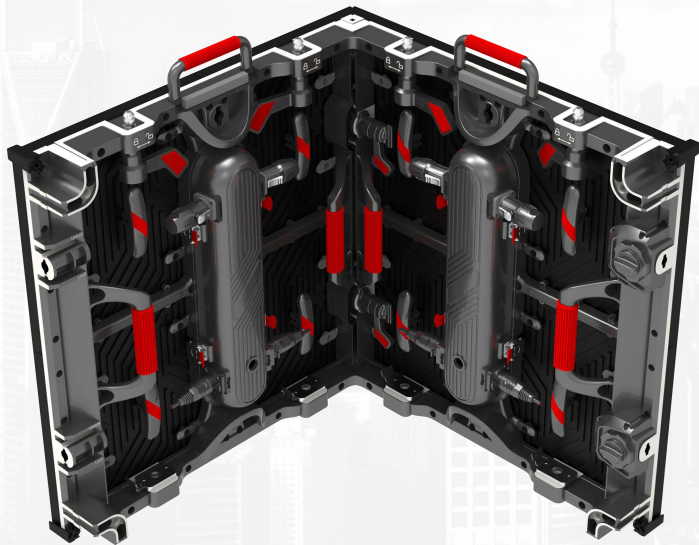
The 500x500mm enclosure can easily interlock with the 500x1000mm enclosure in a vertical manner, greatly meeting the setup needs for different areas



Arc Installation

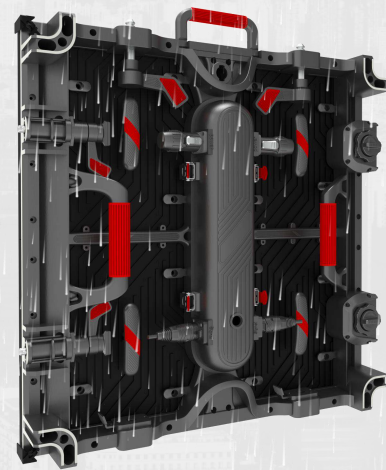


Right-angle Installation



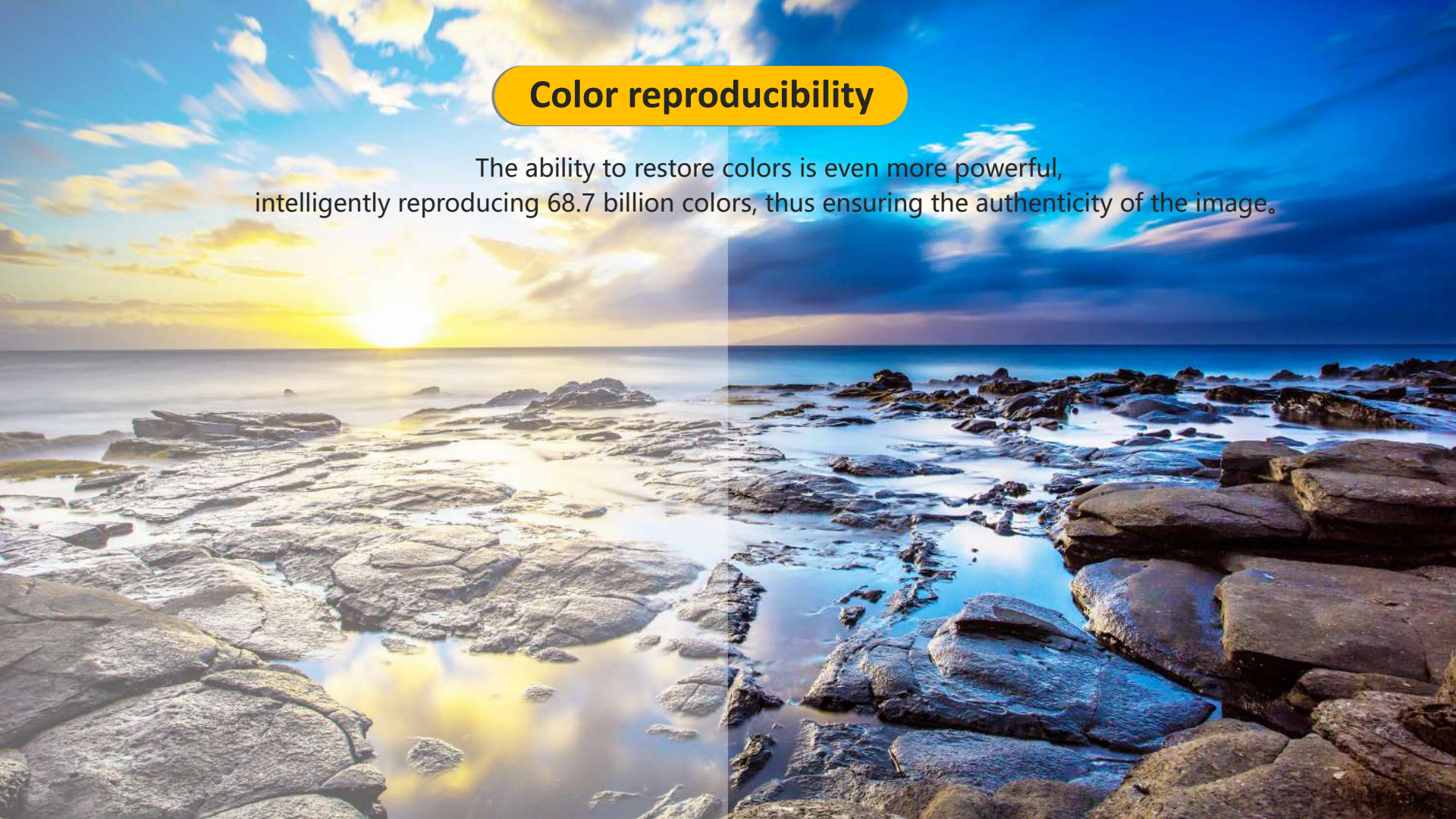


IP65 Waterproof
(Front & Rear)



Color reproducibility

The ability to restore colors is even more powerful, intelligently reproducing 68.7 billion colors, thus ensuring the authenticity of the image.



160° Viewing Angle

Perfect display of images at any angle.



High Refresh Rate



High Refresh Rate



Low Refresh Rate

High Grey Scale

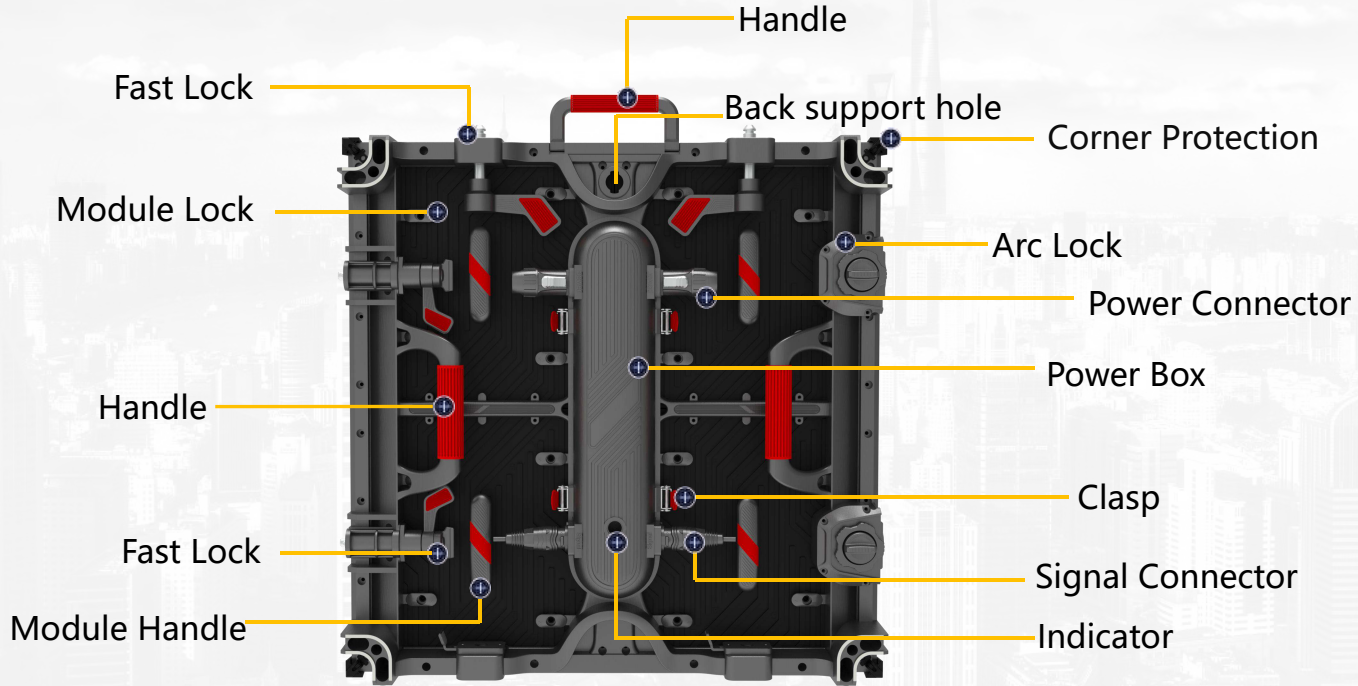


High Grey Scale



Low Grey Scale

Schematic



Pixel Pitch

P2.604

P2.976

P3.91

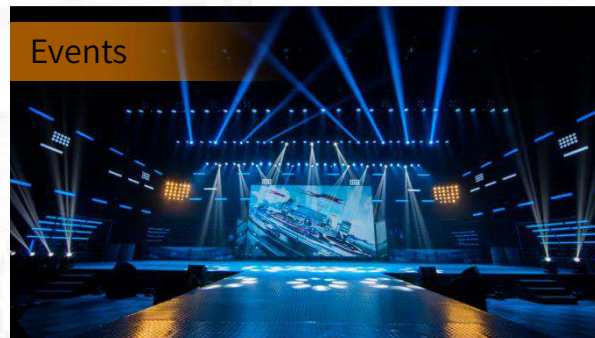
P4.81

P5.95

LED Type	SMD415	SMD1415	SMD1921	SMD1921	SMD2727
Physical Density(Dot/m ²)	147456	112896	65536	43264	28224
Module Resolution	96X96	84X84	64X64	52X52	42X42
Module Size(WXH)	250X250	250X250	250X250	250X250	250X250
Cabinet Size(mm)	500X500(1000)X84	500X500(1000)X84	500X500(1000)X84	500X500(1000)X84	500X500(1000)X84
Cabinet Resolution	192X192/192X384	168X168/168X336	128X128/128X256	104X104/104X208	84X84/84X168
Module Quantity(WXH)	2X2/2X4	2X2/2X4	2X2/2X4	2X2/2X4	2X2/2X4
Weight(kg)	8/14.5	8/14.5	8/14.5	8/14.5	8/14.5
Maintenance	Front/rear Maintenance	Front/rear Maintenance	Front/rear Maintenance	Front/rear Maintenance	Front/rear Maintenance
Cabinet Material	Die-casting Aluminum	Die-casting Aluminum	Die-casting Aluminum	Die-casting Aluminum	Die-casting Aluminum
Brightness(Nits)	≥4500	≥4500	≥5000	≥5000	≥5000
Color Temperature(K)	1000-18500 Adjustable	1000-18500 Adjustable	1000-18500 Adjustable	1000-18500 Adjustable	1000-18500 Adjustable
Viewing Angle(H/V)	160°/160°	160°/160°	160°/160°	160°/160°	160°/160°
Viewing Distance	3-50m	3-100m	4-150m	4-150m	6-200m
Contrast Ratio	10000 : 1	10000 : 1	10000 : 1	10000 : 1	10000 : 1
Frame Frequency	50/60	50/60	50/60	50/60	50/60
Drive Mode	Static, 32 Scan	Static, 28 Scan	Static, 16 Scan	Static, 13 Scan	Static, 7 Scan
Grey Scale	16bit	16bit	16bit	16bit	16bit
Refresh Rate(Hz)	3840	3840	3840	3840	3840
Max Power Com.(W/m ²)	800	800	800	800	800
Ave Power Com.(W/m ²)	200-300	200-300	200-300	200-300	200-300
IP Rate	IP65	IP65	IP65	IP65	IP65
Power Input	AC90-264V,47-63Hz				
Working T/H (°C/RH)	-20~60°C/10%~85%				
Storage T/H(°C/RH)	-20~60°C/10%~85%				
Standard	CCC/CE/RoHS/FCC/CB/TUV/IEC				

Given the continuous iteration and innovation of the products, the parameters are provided solely for preliminary reference purposes, and the actual specifications may be subject to updates.

Applications





THANKS